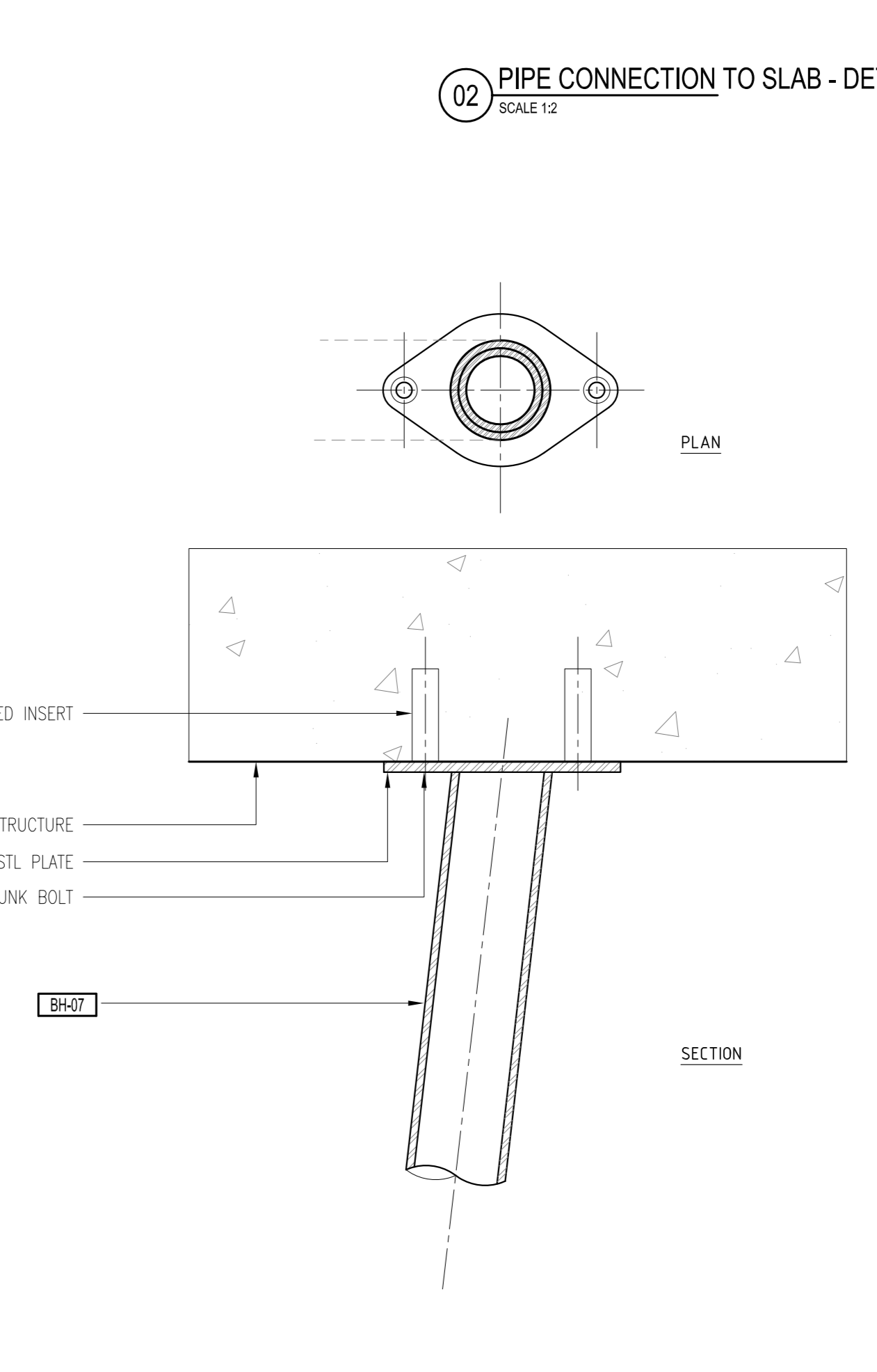
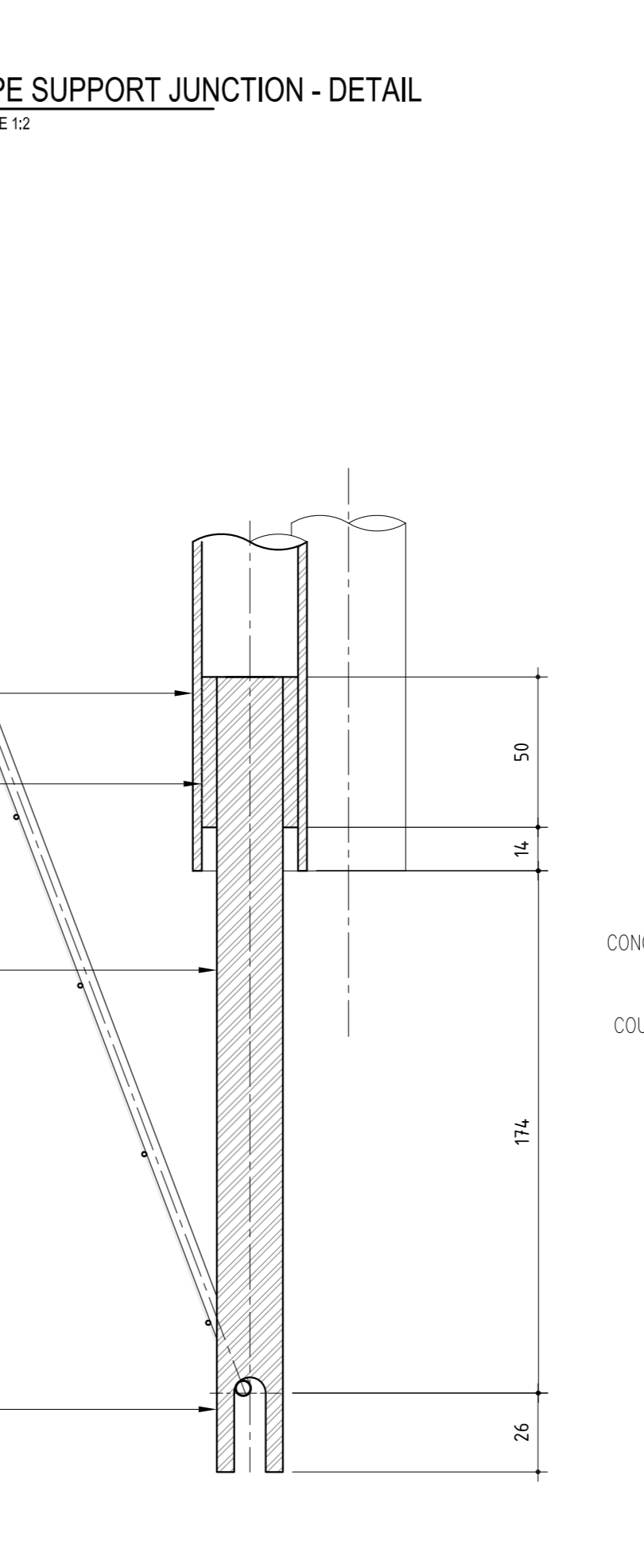
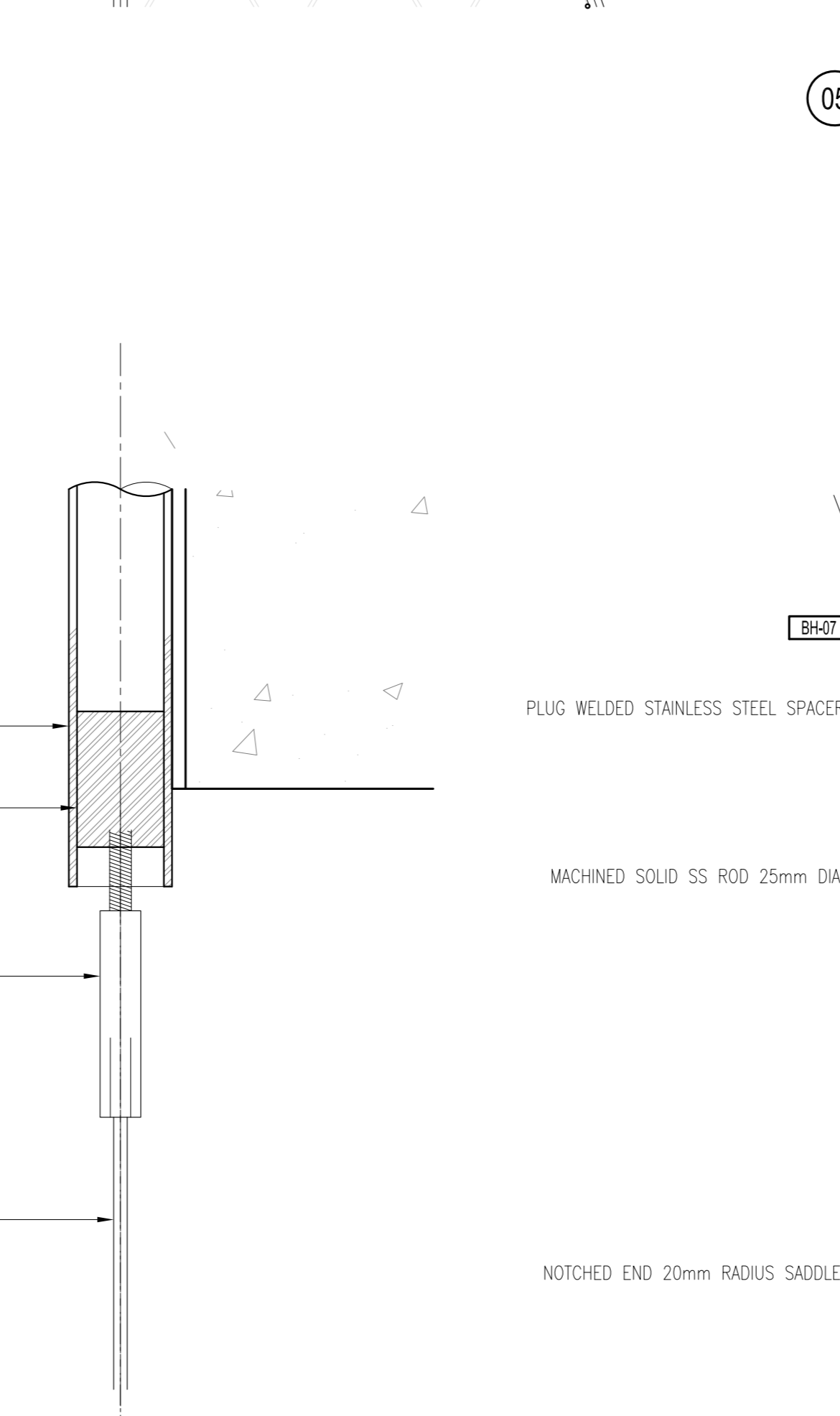
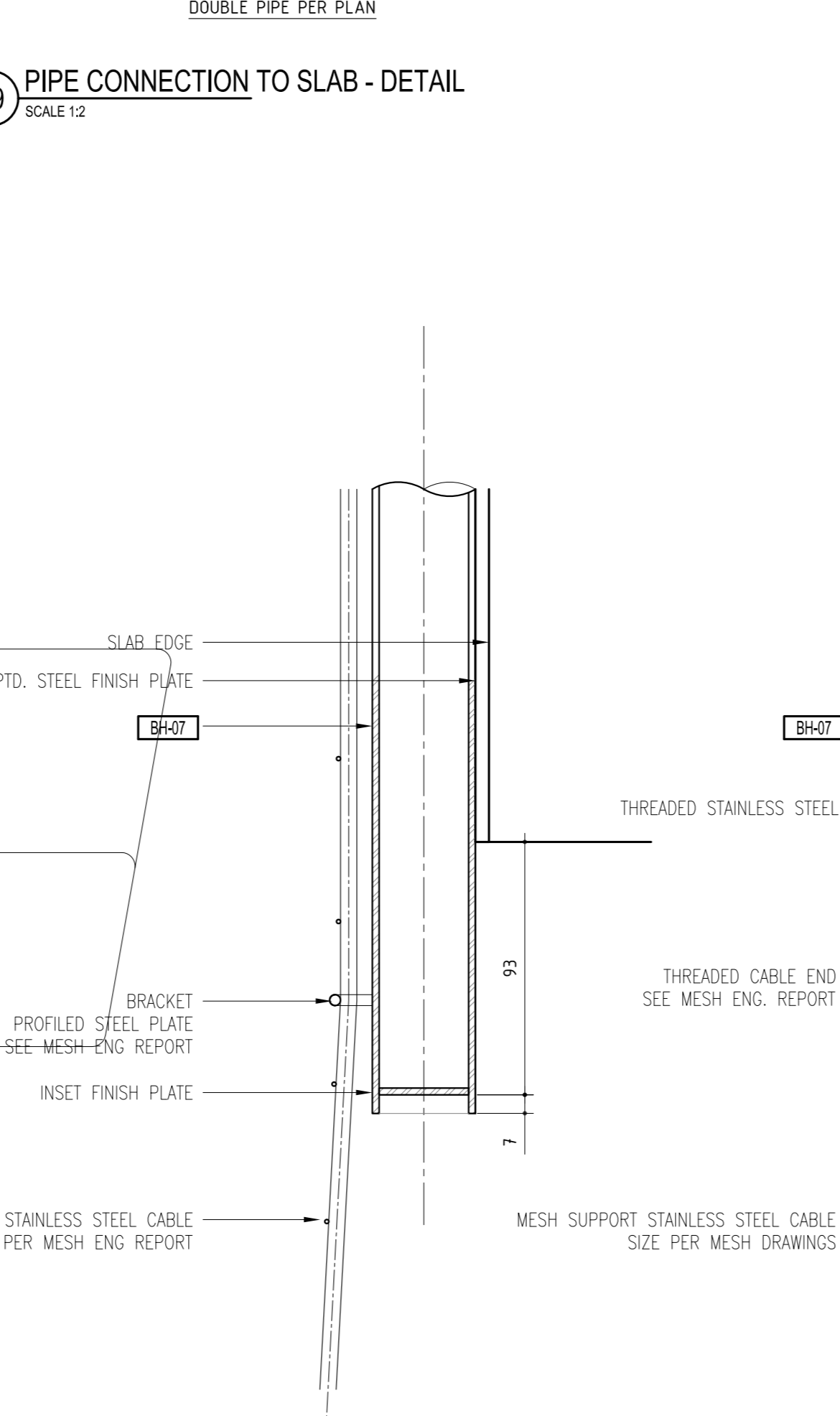
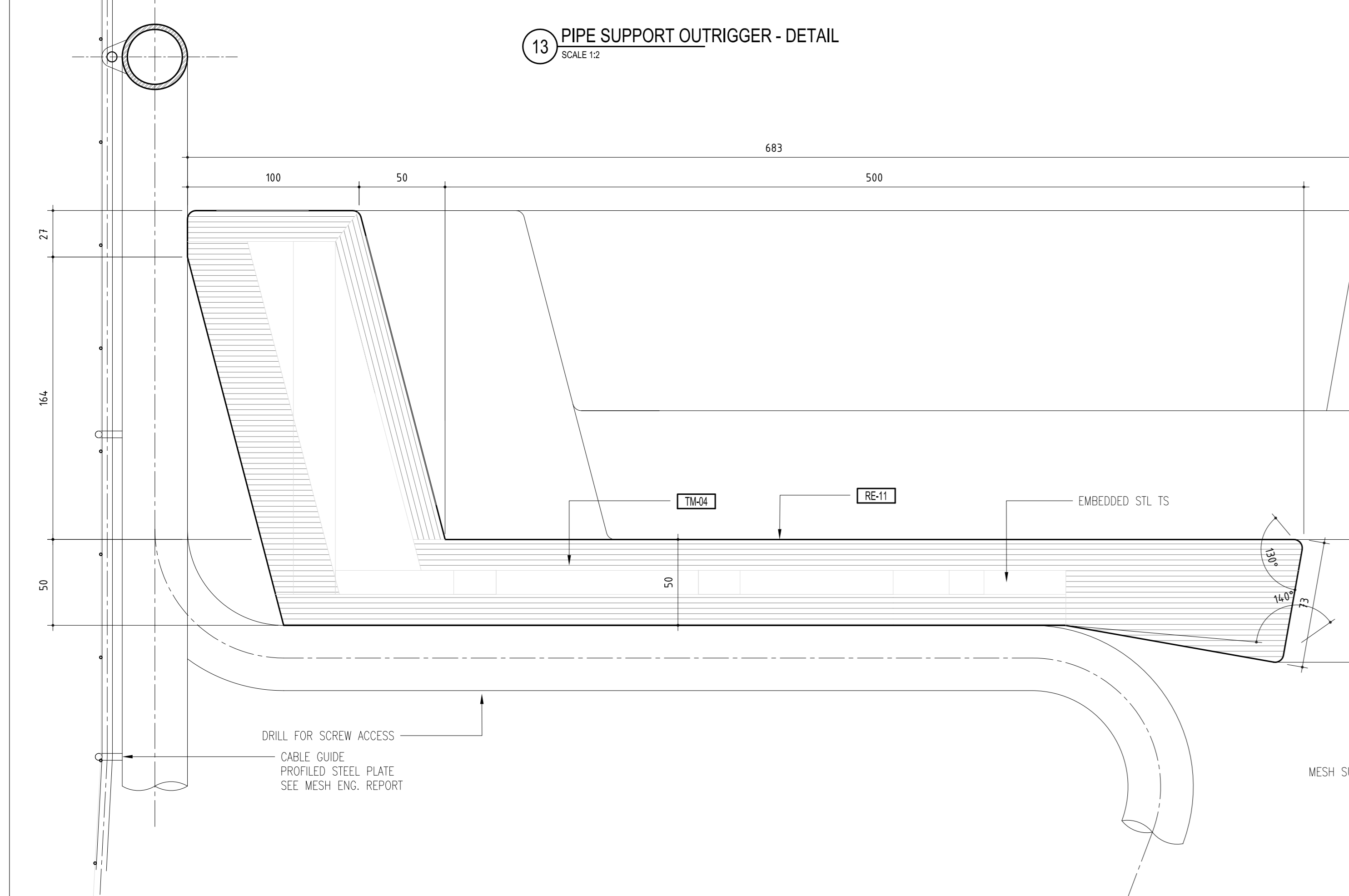
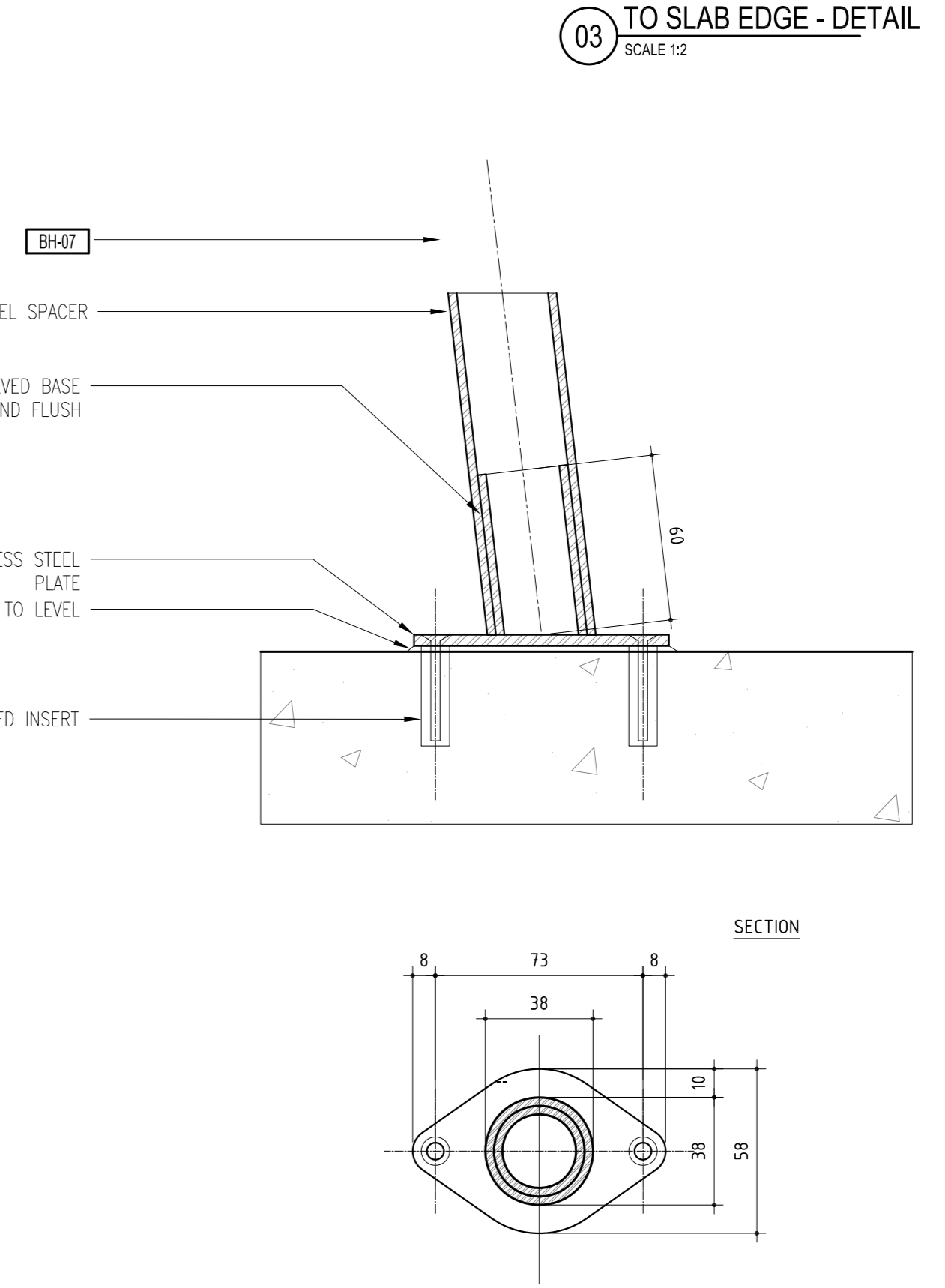
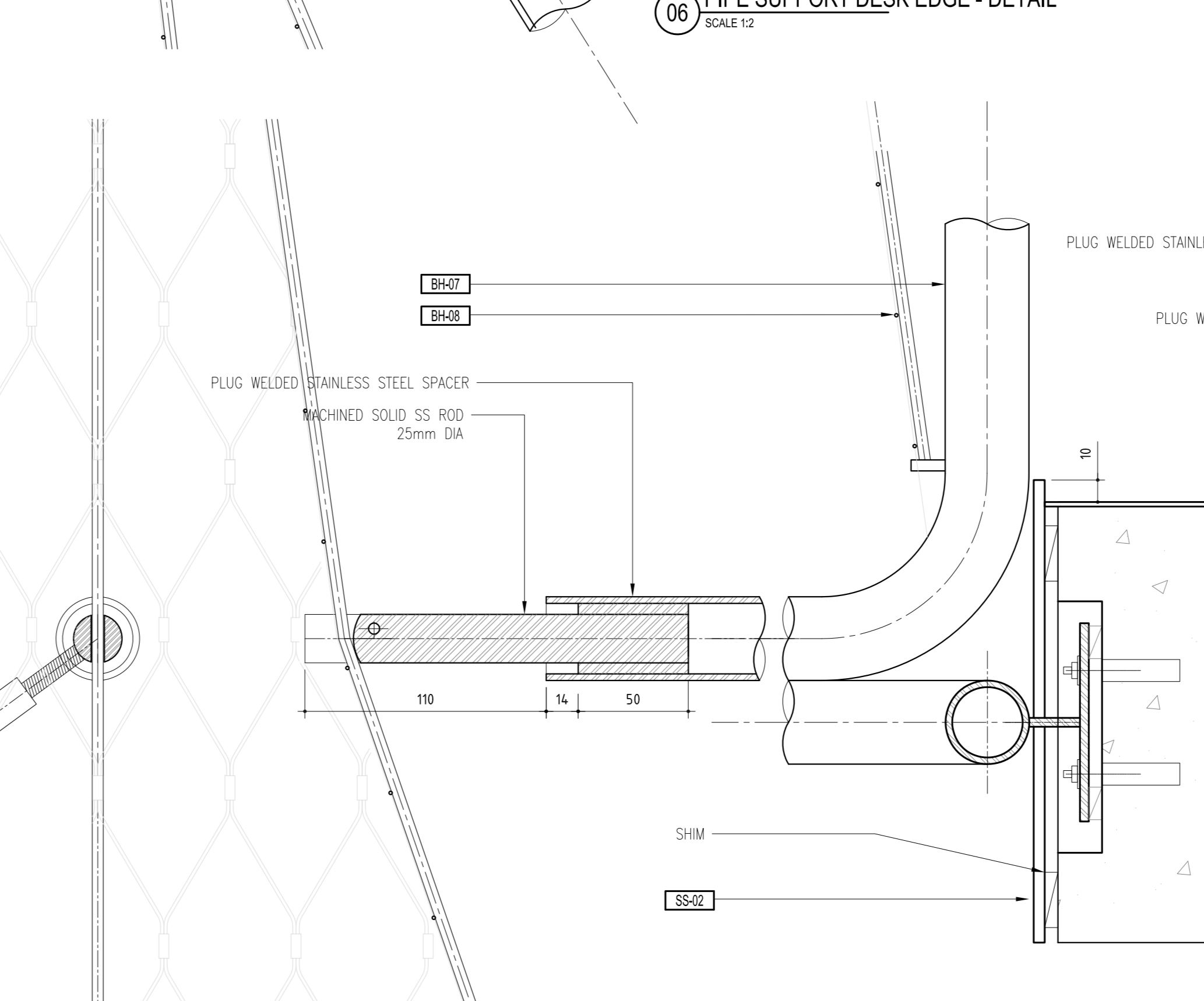
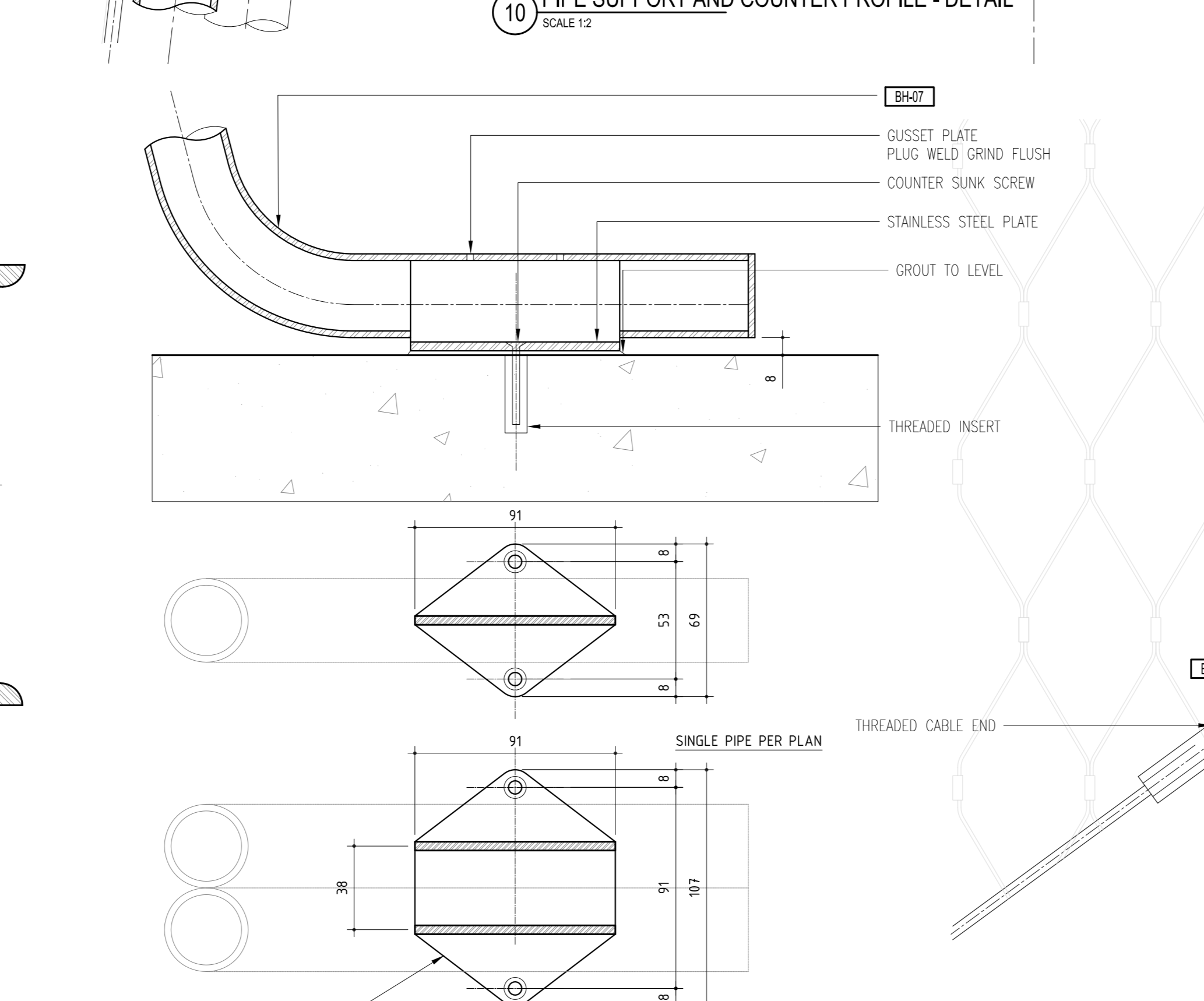
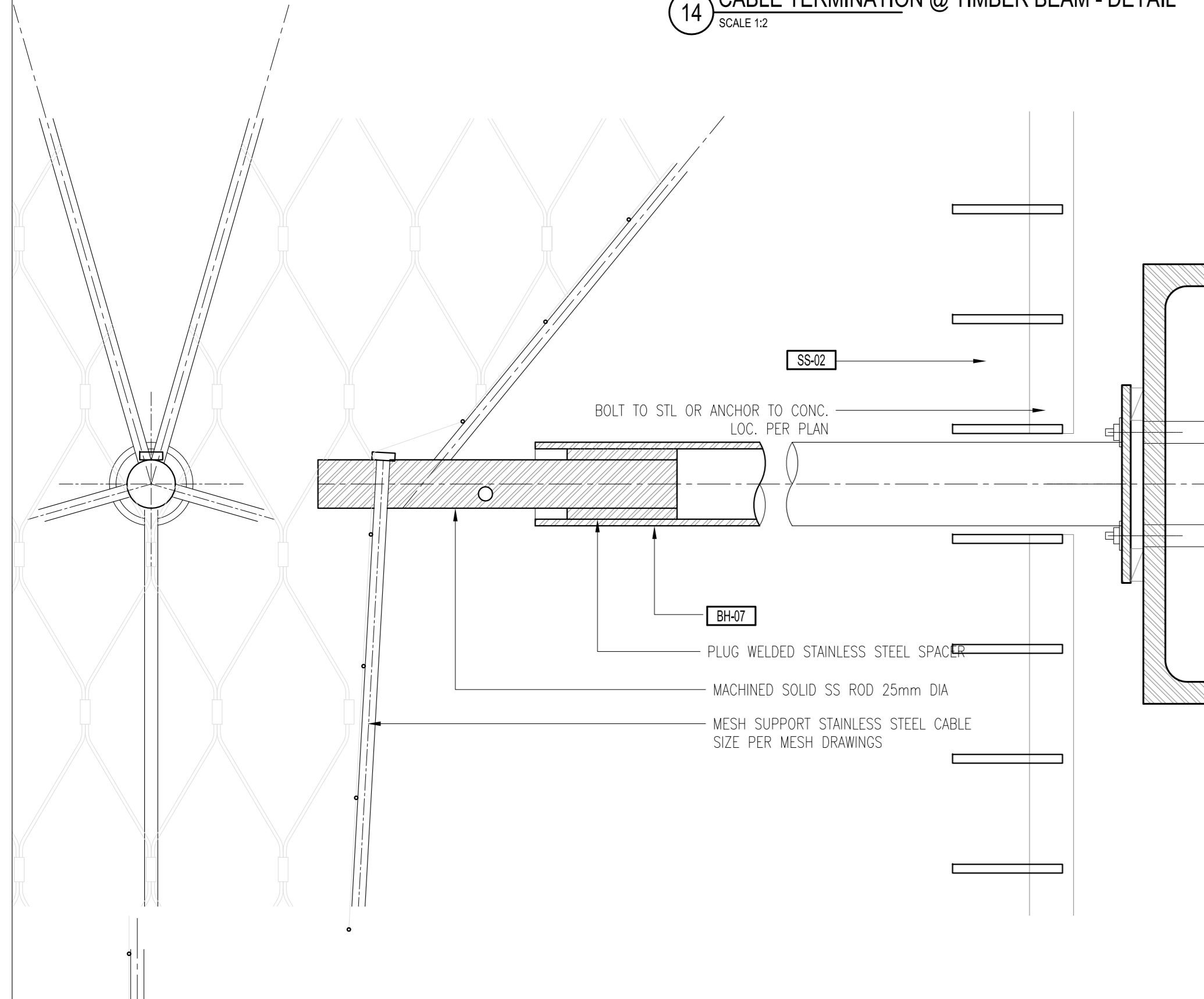
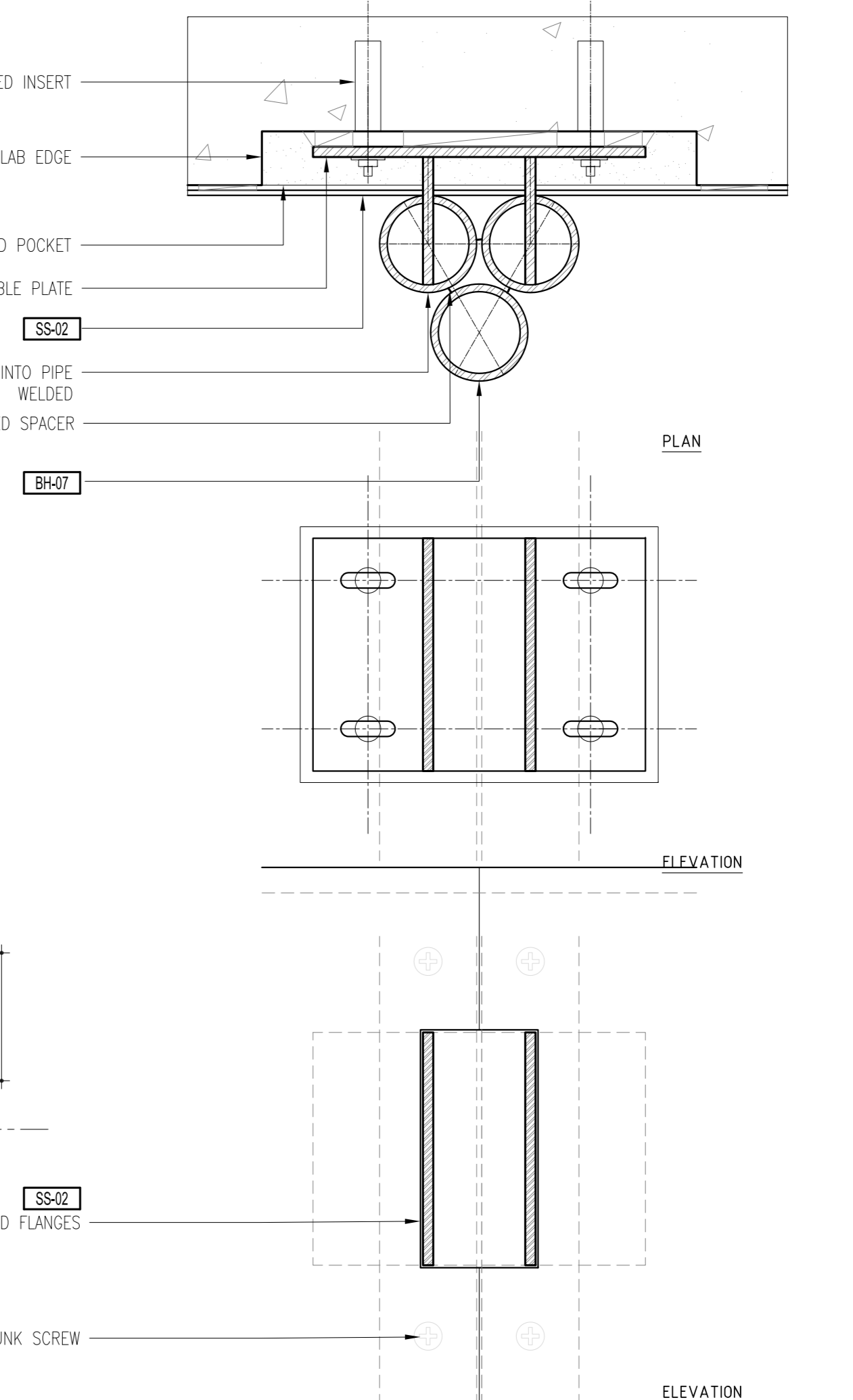
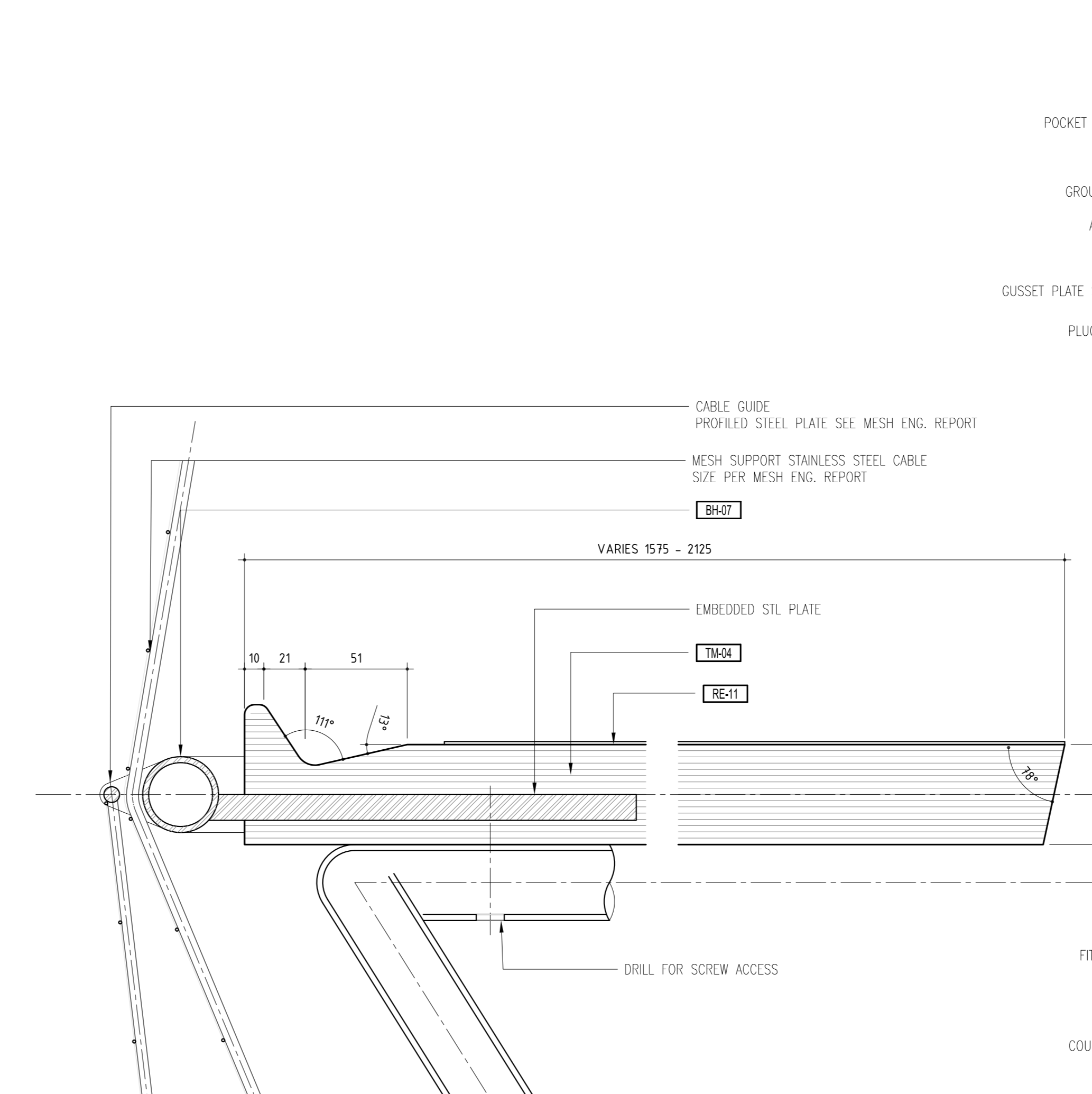
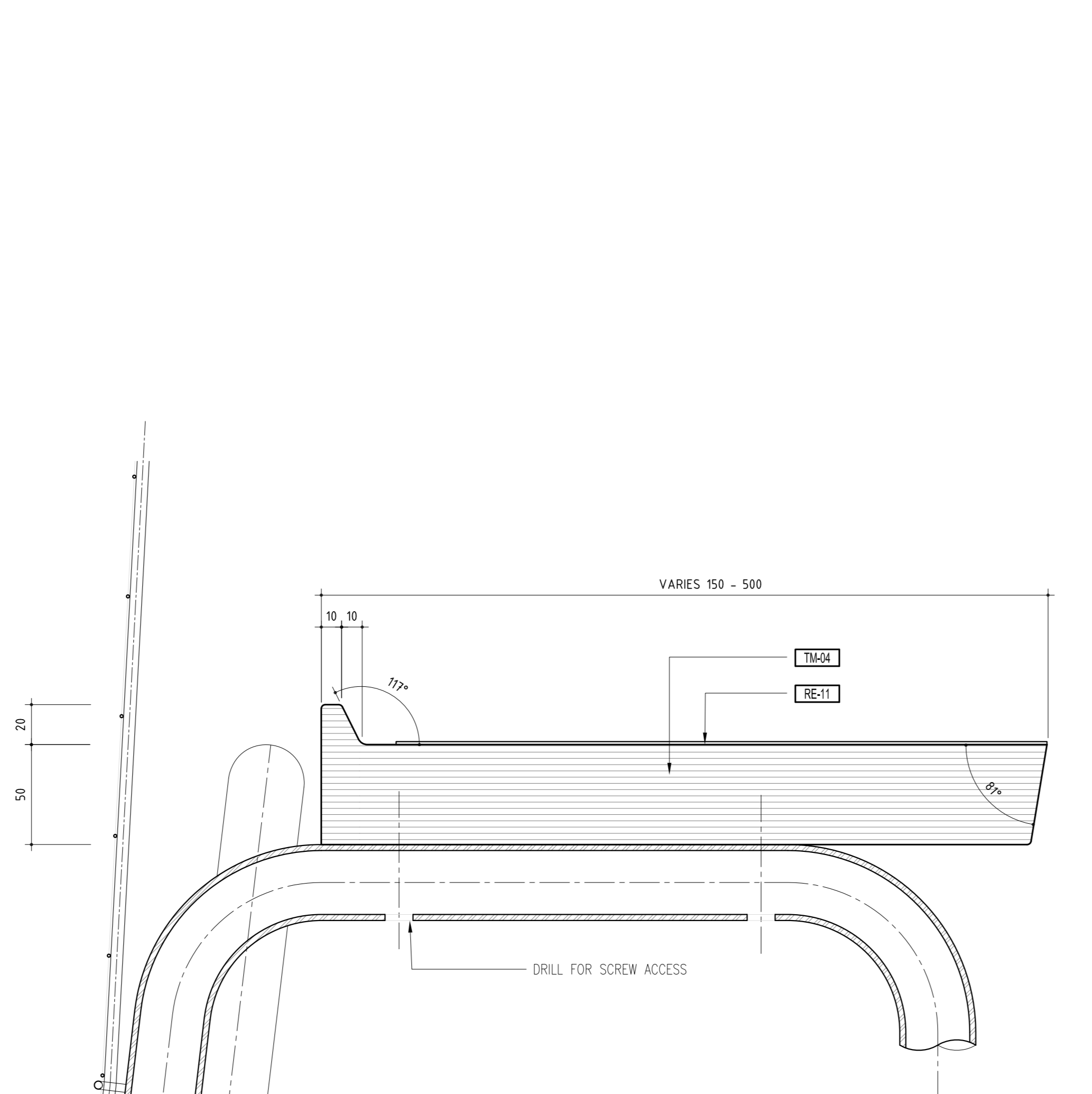
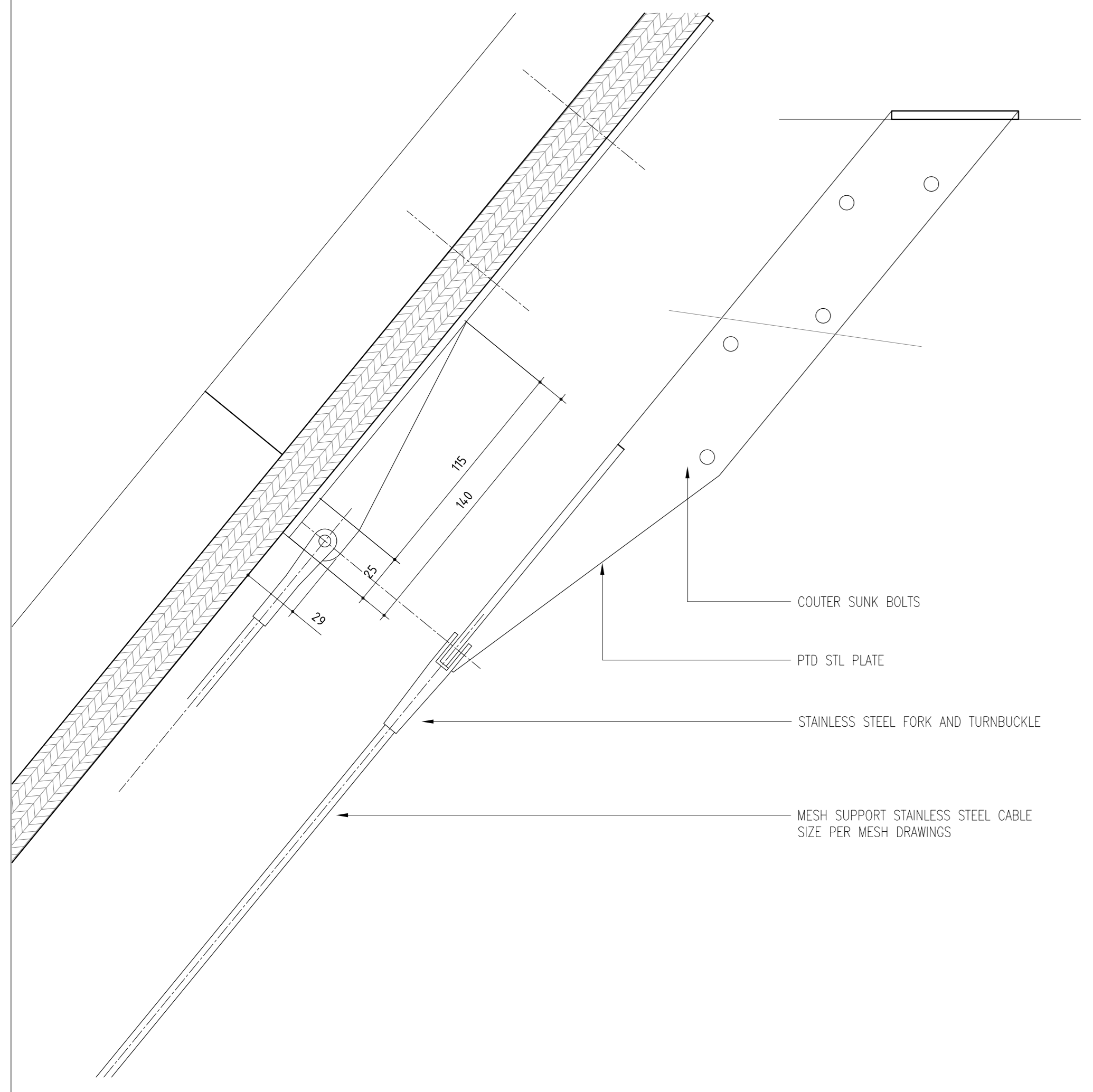


THIS DRAWING IS AN UNCONTROLLED COPY UNLESS STAMPED OTHERWISE

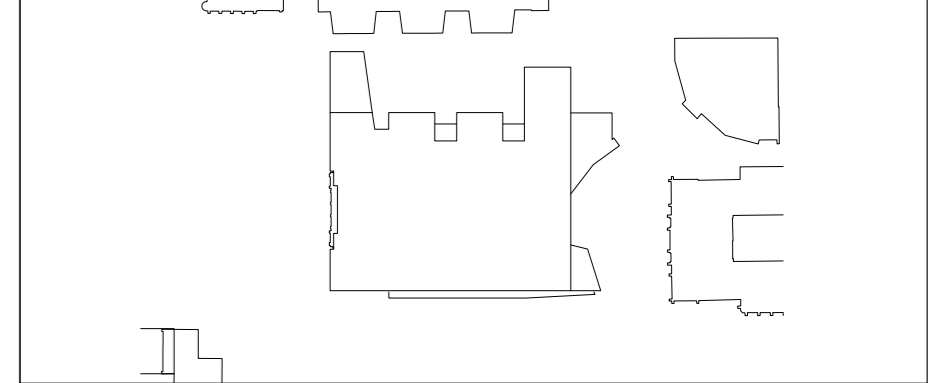
CONTRACTORS SHALL VERIFY JOB DIMENSIONS BEFORE ANY JOB COMMENCES. ALL SHOP DRAWINGS SHALL BE SUBMITTED TO THE SUPERINTENDENT AND MANUFACTURE SHALL NOT COMMENCE PRIOR TO THE RETURN OF UNAMENDED SHOP DRAWINGS ISSUED BY THE CONSULTANT. FIGURED DIMENSIONS SHALL TAKE PRECEDENCE OVER SCALED. THIS DRAWING SHOULD BE READ IN CONJUNCTION WITH ALL RELEVANT CONTRACT SPECIFICATIONS AND DRAWINGS COPYRIGHT OF THIS DRAWING IS VESTED IN NADAAA

General Notes

01. SEE MESH ENGINEER DRAWINGS FOR ALL SS MESH AND CABLE CONNECTION DETAILS, INCLUDING CLAMPS, BRACKETS, TURN BUCKLES STUDS CLEATS ANCHORS AND ENDSTOPS.
02. SEE STRUCTURAL FOR ALL CONNECTIONS TO CONCRETE POCKETS



Rev	Issue	Revision Description	Amd	Date
A	SG	CONSTRUCTION ISSUE	-	03.01.14
04	SG	VALUE MANAGEMENT ISSUE	-	28.03.13
03	JC	100% CD - TENDER ISSUE	-	07.08.12
02	JC	90% CD ISSUE	-	10.08.12
01	JC	75% CD ISSUE	-	13.07.12



NADAAA
NADAAA
1302 Washington Street No.2
Boston Massachusetts 02118 USA
Telephone +1 617 442 9232
Facsimile +1 617 442 1417
Email nads@nadaaa.com

John Wardle Architects
© 2011 John Wardle Architects
Level 10, 180 Russell Street, Melbourne Victoria 3000 Australia
Tel : +613 9654 8700 www.johnwardlearchitects.com

Client **University of Melbourne Parkville Campus**
Project **Faculty of Architecture Building and Planning**

Title **MESH BALUSTRADE DETAILS**

Project No. 0913	Scale 1:100
Drawing No. AR5059	Revision A
Date JAN 2014	Drawn - Co-Ord - Check -

FILENAME: #####
FOR CONSTRUCTION